


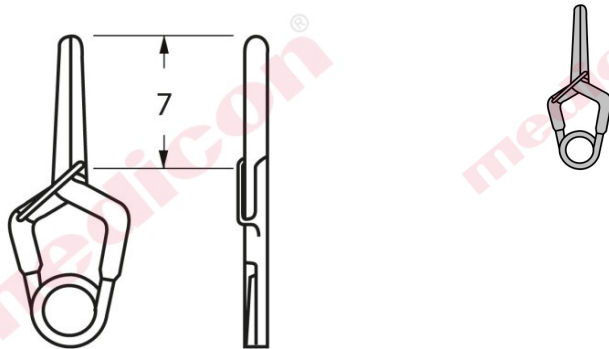




## Product data sheet REF 58.54.08

11.12.2025

| General data  |                                   |                               |                |
|---|-----------------------------------|-------------------------------|----------------|
| article number  | 58.54.08                          | Yasargil Stand clip str 7mm p |                |
| Unit  | piece                             | Customs code (HS code)        | 90219090       |
| GMDN  | 34958                             | GTIN                          | 04046826092139 |
| Risk category   | 3 (EU MDD)                        | UMDNS-Code                    | 10-905         |
| Classification  | 8 (EU MDD)                        | Base UDI-DI                   |                |
| Net weight (kg)   | 0,002                             | Operating instructions        | G585408        |
| Latex free  | yes                               | Preparation instructions      | MPK18          |
|    |                                   |                               |                |
| Medicon media   |                                   |                               |                |
| Complete picture  |                                   | Detail images                 |                |
|    |                                   |                               |                |
| size  | 7mm                               | Coating                       |                |
| Storage conditions  |                                   |                               |                |
| No special requirements   |                                   |                               |                |
| Materials   |                                   |                               |                |
|   | Material number (DIN designation) |                               |                |
| Main part   | 2.4711 (CoCr20Ni15Mo)             |                               |                |