
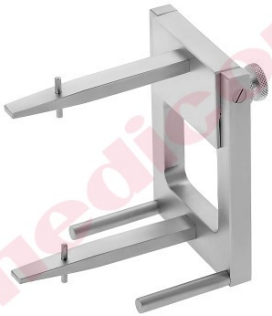




Product data sheet REF 68.05.05

11.12.2025

General data			
article number	68.05.05	Obwegeser model surgery articulator	
Unit	piece	Customs code (HS code)	90189084
GMDN	60909	GTIN	04046826118815
Risk category	1 (EU MDD)	UMDNS-Code	10-199
Classification	6 (EU MDD)	Base UDI-DI	
Net weight (kg)	0,440	Operating instructions	
Latex free	yes	Preparation instructions	MPK02
			
Medicon media	450.00.60 (catalogue plastic surgery)		
Complete picture		Detail images	
			
Storage conditions			
No special requirements			
Materials			
	Material number (DIN designation)		
Main part	1.4021 (X20Cr13)		